



TRELLIDOR BURGLAR BARS

Lock Out The Worry.
Purpose designed fixed barriers for windows.



Custom-made security solutions that protect people and property.

TRELLIDOR BURGLAR BARS

The Trellidor Burglar Bar range features a selection of fixed window security barriers suitable for different purposes. The choice of design will depend on the risk profile of the location, the functions the barrier is supposed to perform, budget available, and personal preference.

POLY GUARD®

Poly Guard® is made from a series of polycarbonate bars encased in a neat, slimline aluminium frame. It is usually fitted to prevent theft but also serves as an internal safety barrier when windows are open. The bars are virtually invisible and enable airflow, so this design is popular for homes in the city, residential communities, hotels, and high-rise developments.

Why choose Trellidor Poly Guard®

- 1 Invisible Protection**
Polycarbonate bars provide virtually invisible protection acceptable in residential communities.
- 2 Reliable Strength**
Neat design with a full four-sided frame creates a strong, stable burglar bar unit.



BURGLAR GUARD

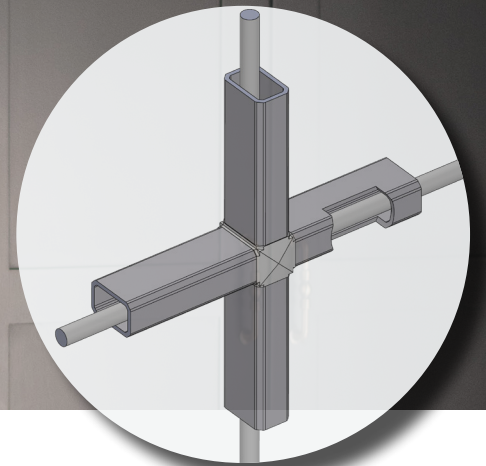
Burglar Guard is a galvanised steel burglar bar for windows. The uprights are made from oval shaped tubing and incorporate strengthening features to ensure the product is resistant under attack. Choose from three different patterns including single trellis, double trellis, and flat bar in either a horizontal or vertical format. These burglar bars are affordable and ideally suited to securing multiple windows within budget.

Why choose Trellidor Burglar Guard

- 1 Dependable Strength**
Custom-made to fit securely, semi-framed and installed with tamper-proof fixings.
- 2 Corrosion Resistant**
Pre-treated and powder coated for better resistance against corrosion.



COTTAGE GUARD®
ATTACK TEST



COTTAGE GUARD®

Cottage Guard® gets its name from the distinctive cottage pane pattern created by crossing vertical and horizontal bars. This is a premium strength burglar bar designed with in-built strength for high crime risk locations. It is made from aluminium tubing reinforced with a threaded steel rod through the centre of each tube to increase strength under attack.

Why choose Trellidor Cottage Guard®

1 High Strength

Extremely strong burglar guards with internal reinforcing to resist criminal attack.

2 Fully Framed

A full, four-sided frame provides strength and stability to withstand attack.

3 Corrosion Resistant

Pre-treated and powder coated for better resistance against corrosion.

STANDARD FEATURES THAT SET TRELLIDOR BURGLAR BARS APART

Custom-made to fit any type of window and reveal.

Fitted with tamper proof fixings to the substrate surrounding the window.

Made from high quality materials and engineered for strength under attack.

Resistant to forceful entry attempts and designed to deter intruders.

Pre-treated and powder coated to the customer's preferred colour.

Suitable for high corrosion coastal locations as well as inland.

Easy to clean and maintain in terms of warranty.

Attack tested to ensure they conform to Trellidor strength standards.

Warranty against defective workmanship, materials, and corrosion.

COMPARISON CHART

	POLY GUARD®	BURGLAR GUARD	COTTAGE GUARD®
FULLY FRAMED	Yes	No (semi-framed)	Yes
FRAME MATERIAL	Aluminium	Steel	Aluminium
BAR MATERIAL	Polycarbonate	Steel	Steel & Aluminium
STRENGTHENING ROD	No	Yes	Yes
MATERIAL WARRANTY (COASTAL)	5 years	3 years	5 years
MATERIAL WARRANTY (INLAND)	5 years	3 years	5 years

AVAILABLE FIXED CONFIGURATIONS

POLY GUARD®



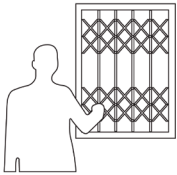
90MM PITCH



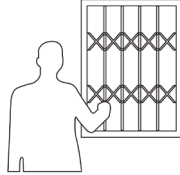
130MM PITCH

	MIN (W)	MAX (W)	MIN (H)	MAX (H)
90MM PITCH	300	1200	240	3000
130MM PITCH	300	1200	280	3000

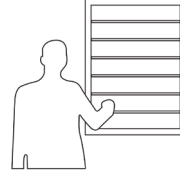
BURGLAR GUARD



DOUBLE X



SINGLE X



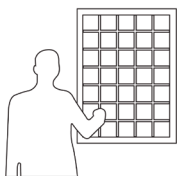
FLAT BAR HORIZONTAL



FLAT BAR VERTICAL

	MIN (W)	MAX (W)	MIN (H)	MAX (H)
DOUBLE X	230	3000	330	2400
SINGLE X	230	3000	280	2400
FLAT BAR	230	3000	280	2400

COTTAGE GUARD®



COTTAGE PANE



COTTAGE LADDER

	MIN (W)	MAX (W)	MIN (H)	MAX (H)
COTTAGE PANE	250	2500	235	2500
COTTAGE LADDER	250	1000	235	2500

*These configurations are examples used for illustrative purposes only. The final design of each product will be dictated by site limitations, customer specifications, and location restrictions.

WHY TRELLIDOR?



A BRAND YOU CAN TRUST

We were established in 1976 and have secured millions of doors, windows and other openings since our journey began.



CLOSE TO OUR CUSTOMERS

We have a large network of outlets so that we can provide customised products and expert personalised service with local knowledge.



INNOVATIVE PRODUCT RANGE

We're constantly updating our range to reflect current trends but continue to supply our old favourites that are trusted around the world.



PEACE OF MIND PROTECTION

We invest in international third-party testing and certification of our high-end designs to ensure that our entire range provides the best protection on offer.



DEPENDABLE PRODUCT WARRANTIES

Our warranties are not a sales gimmick. Not only are they internationally verified, they are realistic, reliable, responsible and reflect our confidence in our products.



LONG LASTING INVESTMENT

Our world-class anti-corrosion pretreatment and powder coating process creates a smooth, high-quality finish for a durable product with a long lifespan.

COLOURS

All Trellidor products come in 8 standard colours. Special colours are available on request, allowing you to choose a colour to best suit your decor or your corporate colours.

The Trellidor powder coating system includes a pre-treatment process that enhances our products' corrosion and UV resistance. The powder coating is ideal for coastal and inland conditions and increases the lifespan of the barrier by retaining its quality finish.

*Actual colours may vary slightly due to device settings, differences in printing substrates, or personal perceptions of colour.



WHITE



BRONZE



SAND



BEIGE GREY



ALUMINIUM



ANTHRACITE GREY



BLACK



STONE GREY

ADDRESS:

20 Aberdare Drive,
Phoenix Industrial Park,
Durban, South Africa.

CONTACT:

T: +27 (0) 861 873 554 367
E: info@trellidor.co.za
W: www.trellidor.co.za