



# ROLLERSTYLE LOCKDOWN SHUTTER



THE ULTIMATE CRIME BARRIER

**COMMERCIAL SECURITY**  
THAT TAKES CARE OF BUSINESS

# ROLLERSTYLE LOCKDOWN SHUTTER

The Trellidor Rollerstyle Lockdown Shutter RH65 is a specialised security solution designed to counteract criminal attacks on buildings housing high value merchandise.



These structural-grade aluminium roller shutters are able to offer businesses peace of mind, with the formidable strength of double walled slats and lift resistant technology.

They have been highly effective in preventing theft from:

- Kiosks such as tobacco and electronic cigarette counters
- Retail outlets in shopping centres
- Street-front stores
- Jewellery stores
- Pharmacies & Hospitals
- Drug storage facilities
- Transport vehicles

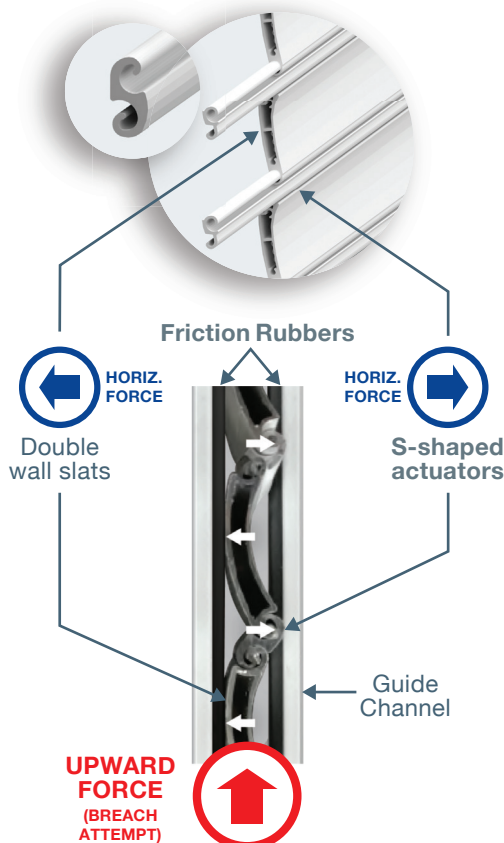
They can be used to partition and secure office spaces and departments within a large store.

## 2 TAMPER RESISTANT INNOVATIONS

make Trellidor Rollerstyle Lockdown Shutter 'the strongest in Africa...'

**TRELLIDOR**

### 1 LIFT RESISTANT INNOVATION



## S-SHAPED ACTUATORS between all horizontal slats

The curtain is made up of alternating s-shaped actuators and double-wall slats. The actuators serve to translate any irregular vertical force of a breach attempt into horizontal forces. This 'locks down' the curtain, by firmly pushing it up against rubbers on both sides of the guide channel.

- In a breach attempt with upward force, all the double wall slats are pushed sideways, against one side's guide rubber
- Similarly, all the s-shaped actuators are pushed against the guide rubber on the opposite side of the same guide channel
- The multitude of contact points serve to maximise frictional force, which 'locks down' the entire curtain
- It does not rely on a locked motor, shot bolts or locks with keys to keep it in place once shut. Instead, it's this auto-locking system of custom-designed slats and guide channels that work together to keep it locked down

**EVEN A FORKLIFT CAN'T BUDGE THE CURTAIN!**

SCAN QR CODE TO WATCH THE 'LIFT TEST' 



# PUSH RESISTANT 2

INNOVATION

## WINDLOCKS in guide channels

*At the end of every single horizontal slat, the windlock effectively locks the shutter curtain into the guide channels, preventing pull out along the sides of the unit, during a breach attempt.*

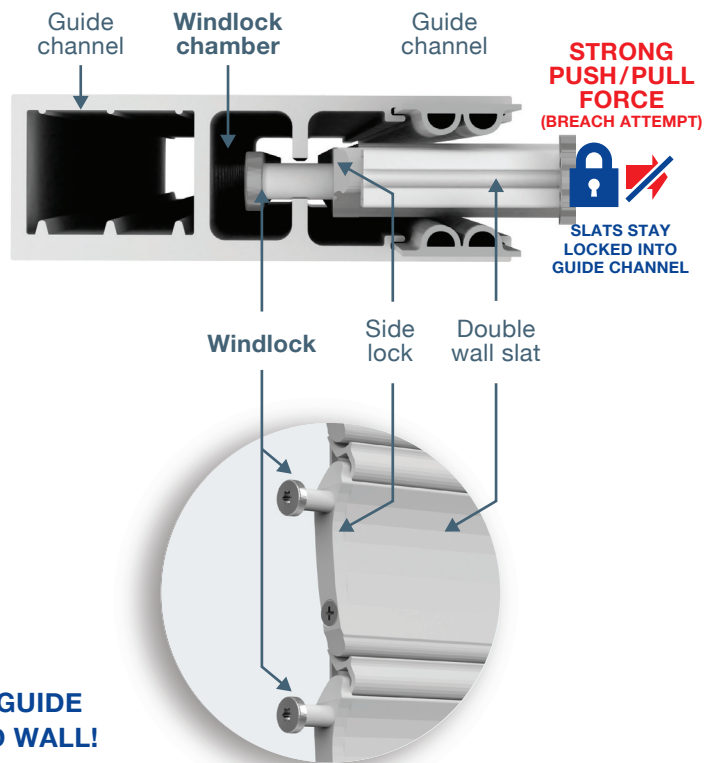
Whether it's a strong push, or pull force being applied to the unit, in an attempt to separate the curtain from the unit's frame:

- This innovation introduces a multitude of points (every slat end) where the windlocks are prevented from exiting the windlock chamber horizontally
- During normal operation however, the windlocks slide vertically within the windlock chamber without causing any obstruction at all



**SECURING THE CURTAIN TO THE GUIDE CHANNELS LOCKS IT ONTO SOLID WALL!**

▶ SCAN QR CODE TO WATCH THE 'PUSH TEST'



**TRELLIDOR**

## SPECIALISED SECURITY



# TRELLIDOR ROLLERSTYLE LOCKDOWN SHUTTER

Units are powder coated with a UV resistant polyester coating, that can be coloured to suit customer requirements.



## CONTROLLER OPTIONS

- Range of both remote and mechanical devices available



## COMMERCIAL APPLICATIONS

- Access control
- Reception counters
- IT server rooms
- Serving counters (Canteens, Pharmacies, Bars, etc)
- Transportation of high-end goods

## VERSATILE INSTALLATION

- Can be installed during construction or retroactively
- Quick installation process causes minimal disruption to home or business operation
- Can be fitted internally or externally

## SECURITY & PRIVACY

- High level security offering that ensures ideal safety and security from theft and vandalism
- Vast facings provide excellent privacy, shutting out the interior of a property to the outside

## 'GREEN' & ENVIRONMENTAL

- Provide thermal insulation thus internal space temperature control, hence savings on energy consumption
- Light control, partial or complete block-out thus arresting or minimising the possible greenhouse effect
- Can be applied to shut out inclement weather such as high winds, rain, and hail

## DURABILITY

- Aluminium is an extremely versatile metal with several advantages that include light weight, strength, corrosion resistance
- The UV resistant polyester powder coating works to further augment the product's longevity

## ACOUSTIC INSULATION

- Reduction of internal or external noise transmission



| 0861 873 554 367 | info@trellidor.co.za | www.trellidor.co.za

